

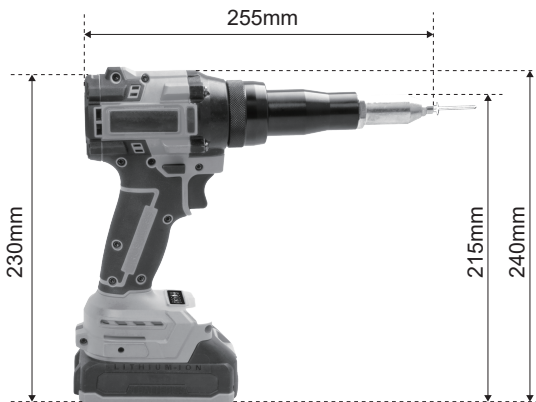
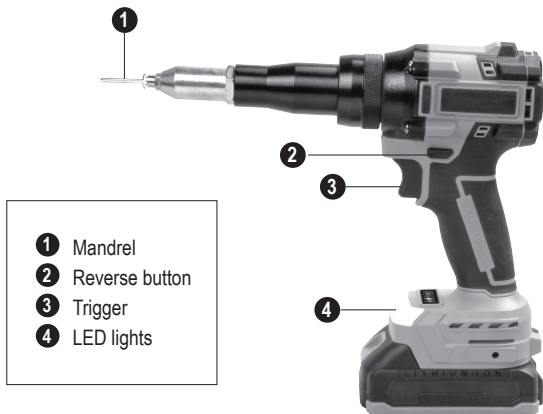
INSTRUCTION MANUAL

Cordless Rivet Gun



IMPORTANT: Read Before Using.

SPECIFICATIONS



IMPORTANT SAFETY INFORMATION

▲ WARNING: Read all safety warnings and all instructions. Failure to follow the warnings and instructions may result in electric shock, fire and/or serious injury. Save all warnings and instructions for future reference.

Work area

1. Keep work area clean and well lit. Cluttered and dark areas invite accidents.
2. Do not operate power tools on explosive atmospheres, such as in the presence of flammable liquids, gases or dust. Power tools create sparks which may ignite the dust of fumes.
3. Keep children and bystanders away while operating a power tool. Distractions can cause you to lose control.

Electric safety

1. Do not expose power tools to rain or wet conditions. Water entering a power tool will increase the risk of electric shock.

Personal safety

1. Stay alert, watch what you are doing and use common sense when operating a power tool. Do not use a power tool while you are tired or under the influence of drugs, alcohol or medication. A moment of inattention while operating power tools may result in serious personal injury.
2. Use personal protective equipment. Always wear goggles. Protective equipment such as dust mask, non-skid safety shoes, hard hat, or hearing protection used for appropriate conditions will reduce personal injuries.
3. Prevent unintentional starting. Ensure the switch is in the off-position before connecting to power source and/or battery pack, picking up or carrying the tool. Carrying power tools with your finger on the switch or energizing power tools that have the switch on invites accidents.
4. Dress properly. Do not wear loose clothing. Keep your hair, clothing and gloves away from moving parts. Loose clothes or a long hair can be caught in moving parts.

Power tool use and care

1. Do not force the power tool. Use the correct power tool for your application. The correct power tool will do the job better and safer at the rate for which it was designed.
2. Do not use the power tool if the on-off switch is defective. Any power tool that cannot be controlled with the switch is dangerous and must be repaired.
3. Disconnect the battery from the power tool before making an adjustment, changing accessories, or storing power tools. Such preventive safety measures reduce the risk of starting the power tool accidentally.
4. Store the power tool out of the reach of children and do not allow persons unfamiliar with the power tool or these instructions to operate the power tool. Power tools are dangerous in the hands of untrained users.
5. Maintain your power tool. Check for misalignment of binding of moving parts, breakage of parts and any other condition that may affect the power tools operation. If damaged, have the power tool repaired before use. Many accidents are caused by poorly maintained power tools.
6. Use the power tool, accessories and tool bits etc., in accordance with these instructions and in the manner intended for the particular type of power tool, taking into account the working conditions and the work to be performed. The use of the power tool for operations different from intended could result in a hazardous situation.

Service

1. Have your power tool serviced by a qualified repair person using only identical replacement parts. This will ensure that the safety of the power tool is maintained.

Specific warnings

1. Hold power tool by insulated gripping surfaces, when performing an operation where the fastener may contact hidden wiring. Fasteners contacting a "live" wire may make exposed metal parts of the power tool "live" and could give the operator an electric shock.

DISPOSAL OF OLD ELECTRICAL & ELECTRIC EQUIPMENT

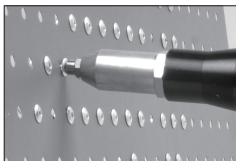
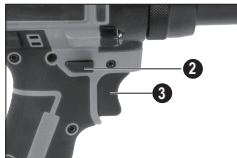
This product (including battery and charger) shall not be treated as household waste. It shall be handed over the applicable collection point for the recycling of electrical and electric equipment. By ensuring this product is disposed of correctly, you will help prevent potential negative consequences for the environment and human health, which could otherwise be caused by inappropriate waste handling of this product. The recycling of materials will help to conserve natural resources.

For more detailed information about recycling of this product, please contact your local city office, your household waste disposal service or the shop where you purchased the product.

OPERATING INSTRUCTIONS

BLIND NUT INSTALLATION:

1. Set the reverse button **2** to the "screwing" position (i.e. pushed in on the right side).
2. Place the nail manually on the mandrel
3. Insert the nail into the hole, ensuring correct alignment hole-nut-tool
4. Press the trigger **3** to set the rivet gun.
5. Release the trigger to unscrew and release the mandrel.



Notice:

Only set to the "reverse" position when the nail cannot be withdrawn, otherwise long-term use may damage the machine.

LED LIGHTS



The tool is equipped with LED light **4** to light up the working area.

Turn on the light only

Press the trigger half way to turn on the light. The lights will shutdown after 10 seconds.

Turn on the tool with the lights on

Press the trigger to set the blind nut. The lights turn on and remain on for 10 seconds after the trigger is released.

TROUBLESHOOTING

Trouble	Reason	Solution
Flashing LED	Low battery charge or damaged battery	Charge or replace the battery
	Tool capacity exceeded	Check working limits of the tool.
	Tool overheating	Let the tool cool down for a moment
Hard to drive the nails	Worn or damaged mandrel	Replace mandrel